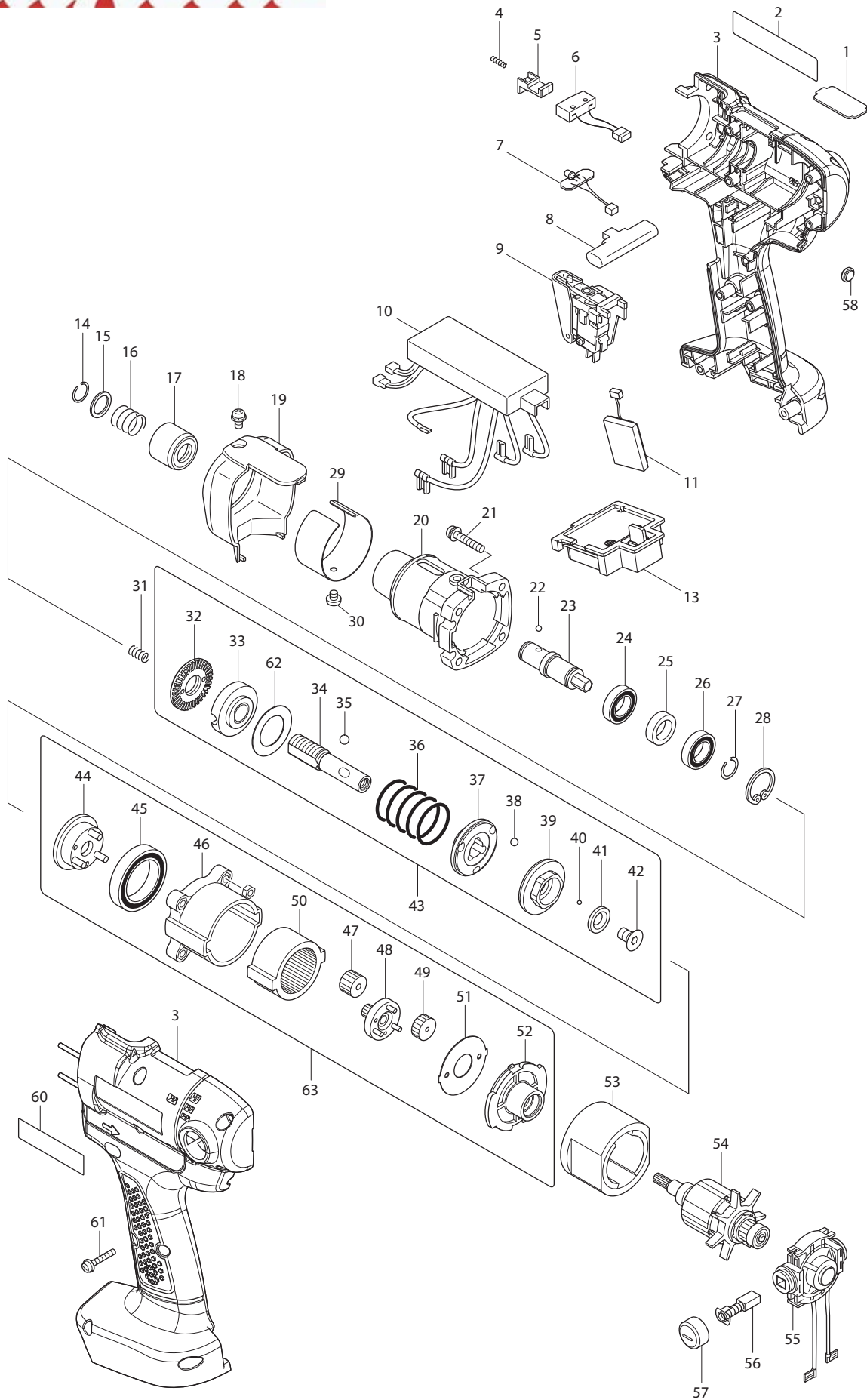




05 - 2012
BFT126FZ
14.4V SCREWDRIVER



Item No.	Type	Sub	Part No.	Description	Qty	Unit
1			345345-2	PLATE I, 5 - 12Nm	1	PC.
2			897702-5	NAME PLATE F/BFT126F	1	PC.
3			187486-6	HOUSING SET	1	PC.
		INC.		Item No. 60		
4			233025-1	COMPRESSION SPRING 2	1	PC.
5			418002-6	SWITCH LEVER	1	PC.
6			638274-9	SWITCH UNIT	1	PC.
7			631513-6	LED CIRCUIT	1	PC.
8			417511-2	F/R CHANGE LEVER	1	PC.
9			650536-5	SWITCH C3Z-5-01 SINGLE	1	PC.
10			632A44-4	CONTROLLER UNIT	1	PC.
11			631514-4	BUZZER CIRCUIT	1	PC.
13			643828-9	TERMINAL	1	PC.
14			231965-7	RING SPRING 10	1	PC.
15			267143-3	FLAT WASHER 11	1	PC.
16			233005-7	COMPRESSION SPRING 13	1	PC.
17			162218-2	SLEEVE	1	PC.
18			265171-2	PAN HEAD SCREW M4X8	1	PC.
19			418289-0	CLUTCH CASE COVER	1	PC.
20			317694-7	CLUTCH CASE	1	PC.
21			265145-3	+ PAN HEAD SCREW M4X22	4	PC.
22			216019-1	STEEL BALL 3	2	PC.
23			324377-2	SPINDLE M	1	PC.
24			211136-2	BALL BEARING 6801LLB	1	PC.
25			257011-8	RING 12	1	PC.
26			211136-2	BALL BEARING 6801LLB	1	PC.
27			231951-8	RING SPRING 11	1	PC.
28			962111-8	RETAINING RING R-21	1	PC.
29			345351-7	RING 38I	1	PC.
30			265127-5	+ PAN HEAD SCREW M4X4	1	PC.
31			233019-6	COMPRESSION SPRING 5	1	PC.
32			324834-0	LOCK NUT M12	1	PC.
33			158408-3	ADJUST RING COMPLETE	1	PC.
34			324296-2	SPINDLE	1	PC.
35			216018-3	STEEL BALL 5.0	3	PC.
36			233358-4	COMPRESSION SPRING 19C	1	PC.
37			223146-7	CAM D	1	PC.
38			216024-8	STEEL BALL 4	3	PC.
39			223139-4	CAM A	1	PC.
40			216019-1	STEEL BALL 3	13	PC.
41			267247-1	FLAT WASHER 7	1	PC.
42			266305-0	TORX C.S HEAD SCREW M5X10	1	PC.
43			125394-3	CLUTCH ASS'Y G	1	PC.
		INC.		Item No. 32-42,62		
44			153444-4	CARRIER COMPLETE B	1	PC.
45			211375-4	BALL BEARING 6805LLB	1	PC.
46			418004-2	GEAR CASE	1	PC.
47			227052-8	SPUR GEAR 18	3	PC.
48			153448-6	SPUR GEAR 9 COMPLETE B	1	PC.
49			227051-0	SPUR GEAR 19	3	PC.
50			227048-9	INTERNAL GEAR 47	1	PC.
51			267774-8	LOCK WASHER	1	PC.
52			418003-4	MOTOR BRACKET	1	PC.
53			638191-3	YOKE UNIT	1	PC.
54			619129-7	ARMATURE	1	PC.
55			638195-5	ENDBELL COMPLETE	1	PC.
56			195020-8	CARBON BRUSH CB-434 2PC/SET W/ORIGIN	1	SET
57			643933-2	BRUSH HOLDER CAP	2	PC.
58			419829-7	LENS	1	PC.
60			819216-4	MAKITA LOGO LABEL	1	PC.
61			265095-2	PAN HEAD SCREW M3X20	8	PC.
62			267276-4	FLAT WASHER 18	1	PC.

Item No.	Type	Sub	Part No.	Description	Qty	Unit
63			125192-5	GEAR ASSY D	1	PC.
		INC.		Item No. 44-52		
C01			844257-1	CARTON For BFT084FZ, BFT126FZ	1	PC.
E01			800G78-3	CAUTION LABEL FR/SP	1	PC.
<u>ACCESSORIES</u>						
A01			193874-7	GRIP BASE SET	1	SET
A02			273443-1	GRIP 37	1	PC.
A03			418423-2	PROTECTOR(YELLOW)	1	PC.
			418424-0	PROTECTOR(BLUE)	1	PC.
			418425-8	PROTECTOR(RED)	1	PC.
			450331-1	PROTECTOR(CLEAR)	1	PC.
A04			765027-4	TORQUE ADJUST TOOL	1	PC.
A05			194559-8	14.4V LI-ION BATTERY BL1415	1	PC.
			194066-1	14.4V LI-ION BATTERY BL1430	1	PC.
			194397-8	14.4V LI-ION BATTERY BL1430 2PC/SET	1	SET
A06	1		DC18RA	CHARGER DC18RA	1	PC.
	2		DC18RC	CHARGER DC18RC	1	PC.
			DC18SD	CHARGER DC18SD	1	PC.
			DC24SC	CHARGER DC24SC	1	PC.
			DC18SE	AUTOMOTIVE CHARGER DC18SE	1	PC.
A07			193681-8	REFRESHING ADAPTOR ADP03	1	PC.
A08			195219-5	ANTI KICK BACK HEAD M SET	1	PC.
A09			195231-5	ANTI KICK BACK HEAD M ASSY - SPECIAL ORDER	1	PC.